

WALL MOUNTING

Kit Contents:

ITEM 1	M8 x 100mm Bolt	x 4
ITEM 2	Steel Sleeve	x 4
ITEM 3	M8 x 20mm Washer	x 4

Tools Required:

M6 x 120mm Masonry Drill Bit
Hand Drill
12mm Torque wrench

1. Drill through the 4 points in circular recesses in the back internal wall of the bin as shown in Fig. L.
2. Hold the bin against the wall at the desired height and mark the 4 off hole positions.
3. Drill the 4 marked holes with the M6 Drill Bit (Fig. M).
4. Remove any dust or debris from the 4 holes.
5. Insert bolts (Item 1), sleeves (ITEM 2) and washers (Item 3) through the bin and into the wall (Fig. N). Apply pressure and screw into the wall with a 12mm wrench. Tighten to 25Nm.

NOTE: Suitable for use in concrete, brick, block and stone walls. Any other walls should be individually assessed and the appropriate fixings utilised with 20mm diameter washers.

Fig. L

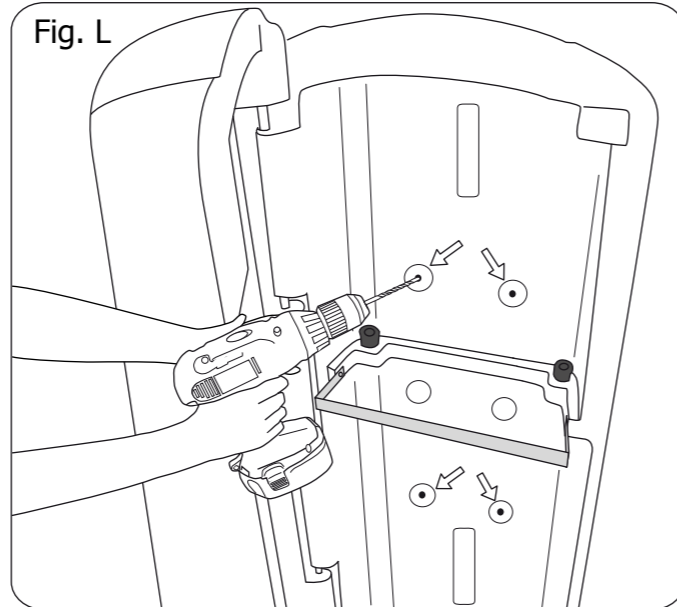


Fig. M

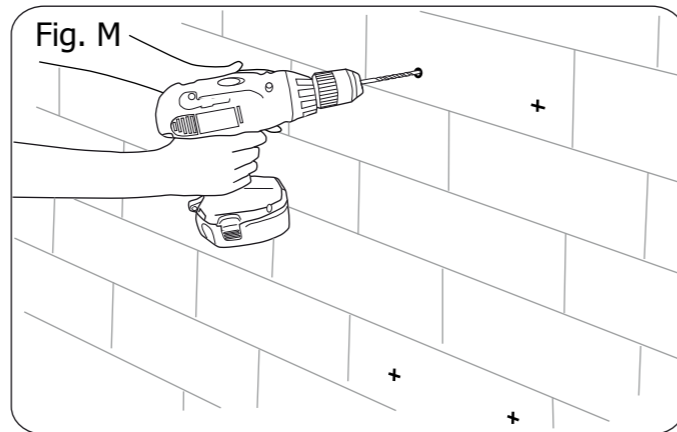
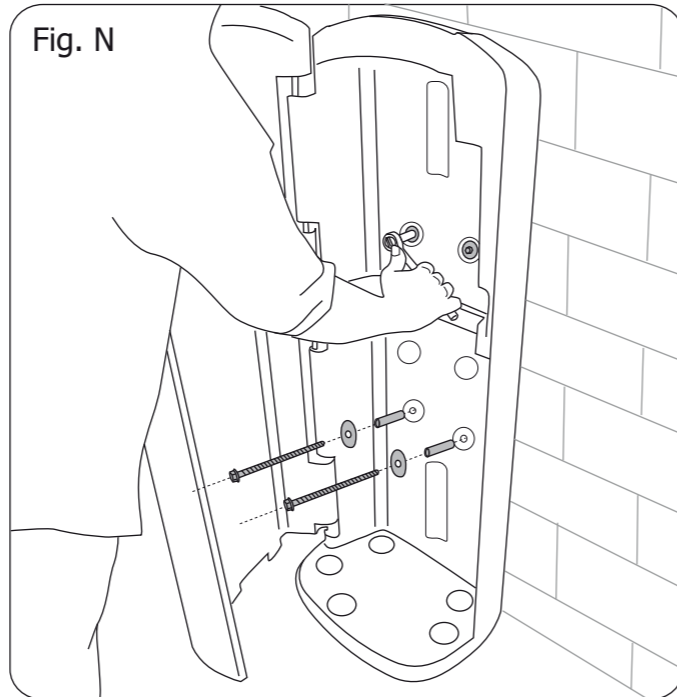


Fig. N



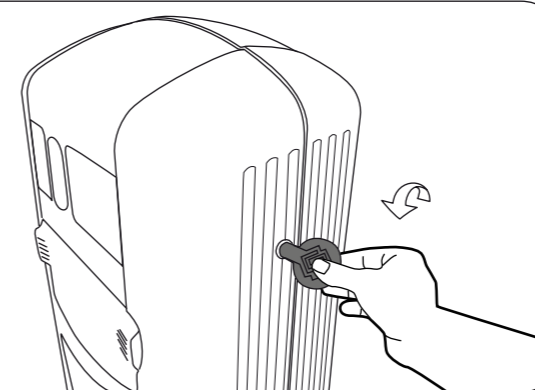
RETRIEVER CITY™ DOG BIN INSTRUCTION LEAFLET

NOTE: Ensure that all relevant personnel read the points listed below and that a copy is passed on to staff involved with the installation. Please also refer to the 'Manual Handling Operations Regulations 1992' during the handling of the product and materials used for installation.

OPERATION:

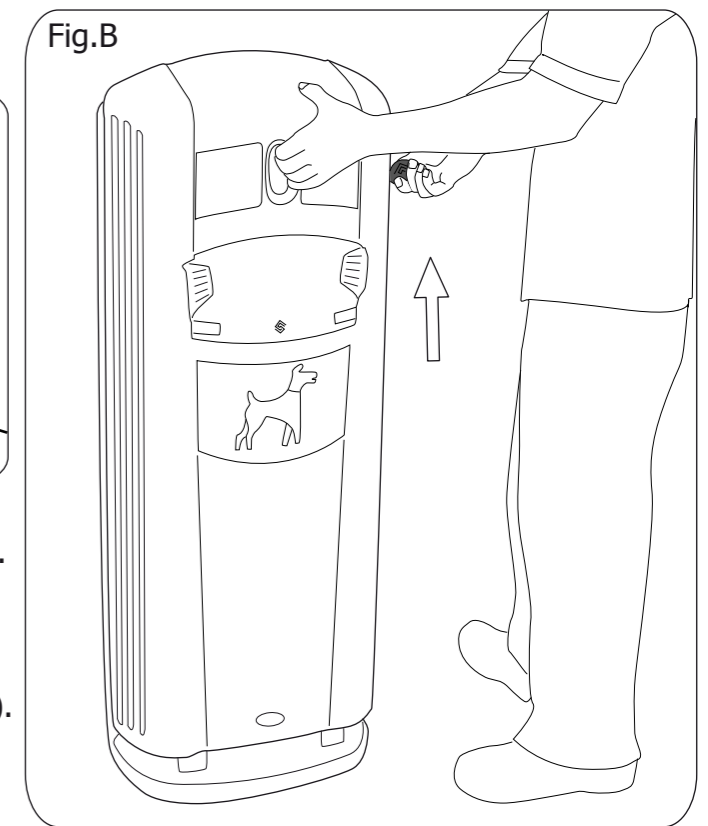
Opening and Closing:

Fig. A



1. Insert key in to the key hole (Fig. A) and place left hand in the sack dispenser hole. Turn the key anti-clockwise until it stops.
2. Using the sack dispenser as a handle lift the door to allow it to swing open (Fig. B).
3. To close simply slam the door shut, ensuring the door drops into position.

Fig. B



Using the Sack Retention:

1. Lift the sack band (Fig. C) and drop a sack between it and the back of the bin.
2. Loop the sack over the two bungs at the back of the bin and over the sack band (Fig. D).
3. Push the sack band down into place to secure the sack.
4. Reverse this process to release and replace the sacks.

Fig. C

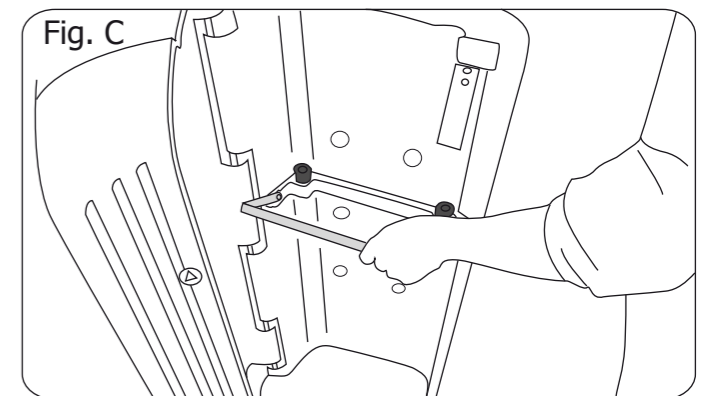
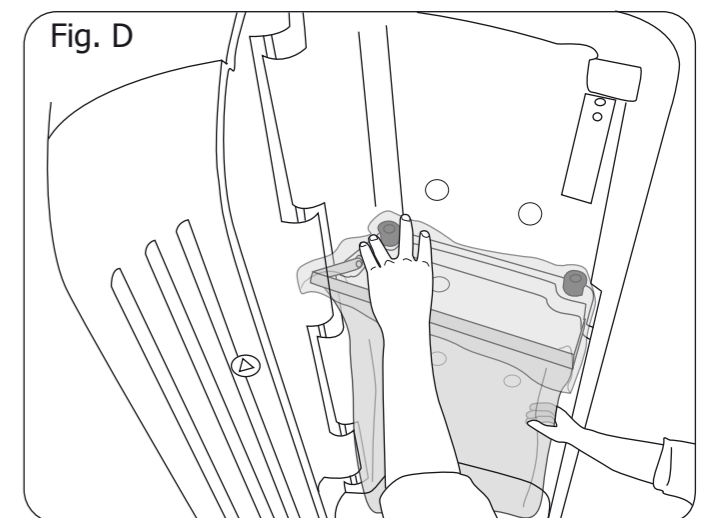


Fig. D



Glasdon AND RETRIEVER ARE TRADEMARKS OF GLASDON GROUP AND ITS SUBSIDIARIES IN THE U.K. AND OTHER COUNTRIES.

Replacement components are available direct from GLASDON.

GLASDON cannot be held responsible for claims arising from incorrect installation, unauthorised modifications or misuse of the product.

Issue 1 September 2010 C000/0364
© Copyright 2010
Glasdon U.K. Ltd reserves the right to alter specifications without prior notice.

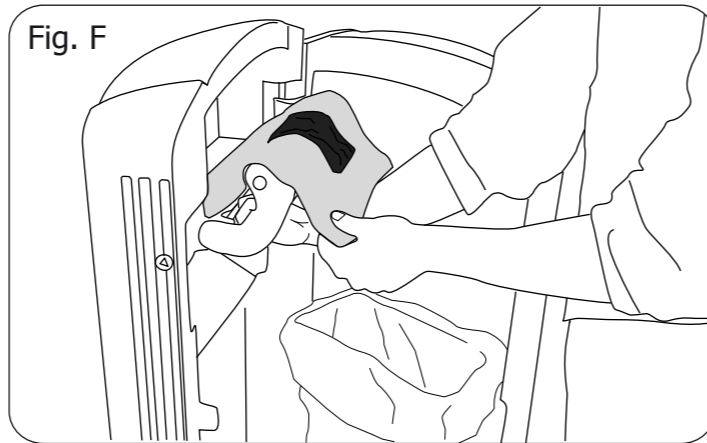
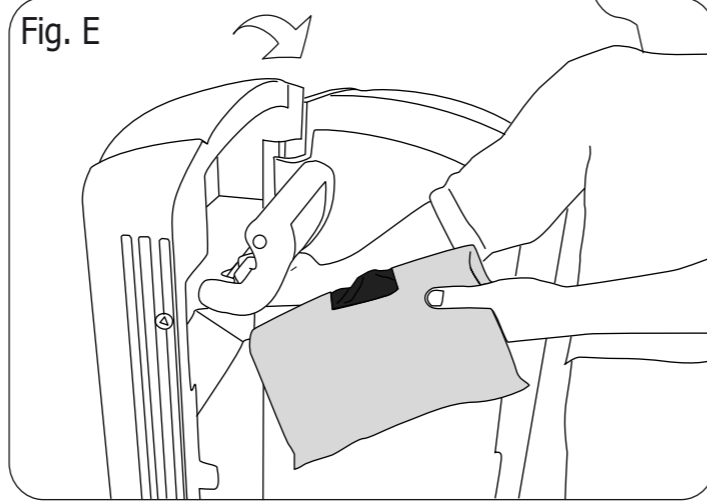


Glasdon U.K. Limited
Preston New Road
BLACKPOOL
Lancashire FY4 4UL
Tel: 01253 600410
Fax: 01253 792558
E-mail: sales@glasdon-uk.co.uk
Web: www.glasdon.com

Filling the Sack Dispenser:

1. To load the dispenser pull the arm back (Fig. E) and place sacks centrally over the rounded end.
2. Allow the arm to swing back into place, ensuring that the sacks stay looped over it (Fig. F).

NOTE: If using Glasdon sacks tear the central hole out of the pack and ensure that this side of the pack faces out to allow users access to the sacks (see Fig.F).



INSTALLATION:

Ground Fixing:

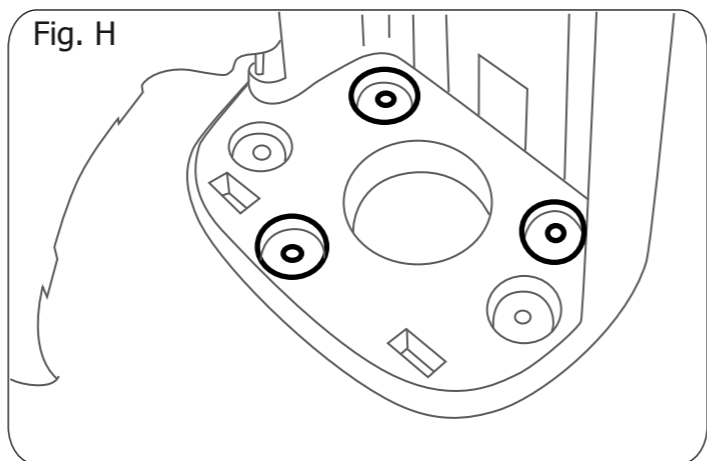
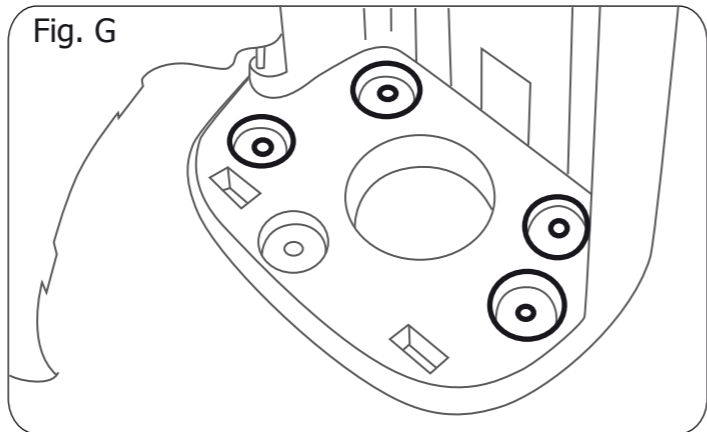
If using Glasdon fixings please follow the instructions supplied with the fixing kit.

Kits containing 4 bolts should be placed in the holes shown in Fig G.

Kits containing 3 bolts should be placed in the holes shown in Fig H.

If using non Glasdon fixings ensure that 50mm diameter washers are used on the base of the unit.

We strongly recommend that the bin is always installed into a concrete slab unless soft earth installation method is being used. Tarmac or block paved areas are not suitable fixing surfaces.



Post Fixing:

Kit Contents:

ITEM 1	'C' Bracket	x 2
ITEM 2	Steel Sleeve	x 4
ITEM 3	M8 x 20mm Washer	x 4
ITEM 4	M8 Screw	x 4

Tools Required:

- Pen/Scribe
- Hand Drill
- 11mm Drill Bit
- 5mm Allen Key

1. Using a 'C' Bracket (ITEM 1) as a guide, mark 4 holes to be drilled in the back of the bin, as shown in Fig. I.
2. Drill the 4 marked holes right through with an 11mm drill bit.
3. Insert a Sleeve (ITEM 2), a Washer (ITEM 3) and a Screw (ITEM 4) into each hole.
4. Tighten the screws in to the C Brackets with the 5mm Allen Key (Fig. J).

Banding can now be passed through the C Brackets to attach the Bin on to an existing post (Fig K).

If using Tespa or Tamtorque banding from Glasdon please follow the Instructions supplied with the Kit. If non Glasdon Banding is used follow the manufacturers instructions.

